



# IP Rugged Dome Installation Instructions

1058991A • June 2007  
Copyright © 2007 GE Security

## Introduction

This is the GE *IP Rugged Dome Installation Instructions* for models:

- GEC-IPDRH-POE
- GEC-IPDRH-24VA
- GEC-IPDRH-24VA-P

## Features

- The unit's power input is DC12V/24 VAC.
- Your dome supports one channel analog video output.
- Your dome connects the wide area network (WAN) via a standard terminal block. Supporting NWAY, your dome auto detects the speed of local network segment (10Base-T/100Base-TX Ethernet). The WAN port is for FTTH and may connect to an xDSL or cable modem. The network connector is terminal block, based on the label color on the connector.
- Your dome also connects the local area network (LAN) via standard terminal block. Supporting NWAY, your dome auto detects the speed of local network segment (10Base-T/100Base-TX Ethernet).

## Mounting preparation

To prepare to mount the dome, do the following:

1. Prepare the mounting surface that is appropriate for your mounting method.
2. Cut a hole in the mounting surface large enough to fit all of your wires.
3. Run the appropriate cables that you need for the installation and operation of the dome.
  - Ethernet cables
  - Power cables

To prepare the mounting surface, do the following:

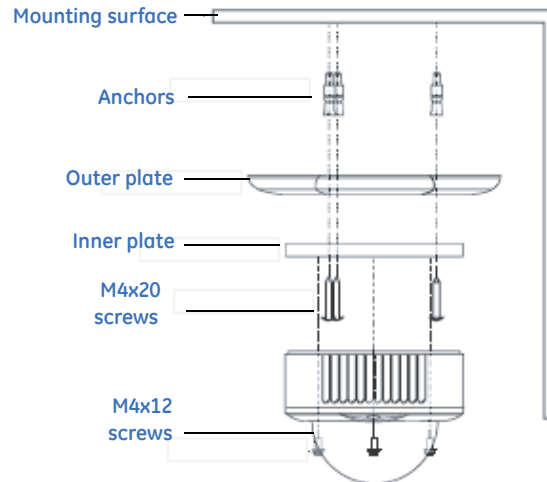
1. Position the outer plate on the mounting surface at the installation location.
2. Trace the position of the mounting holes.
3. If you are using the back cable entry, trace its outline.
4. Drill the outlined mounting holes. If necessary, cut out the outlined back cable entry hole.

To surface-mount the outer plate, see *Figure 1* and do the following:

1. Install the provided mounting anchors in the mounting holes.
2. Mount the plates to the anchors in the mounting surface using the M4x20 truss-head tapping screws.

**Note:** Prepare cables for access at the mounting location. Feed the cables through the mounting surface, plates, and housing.

Figure 1. Surface-mount the housing



To install the housing, do the following:

1. Let the housing cover drop down and rest on the hinge.
2. Feed the cables through the hole in the housing and through the space in the circuit boards.
3. Attach the housing to the inner plate using the M4x12 pan-head double-washer screws.
4. Line up the opening of the mounting slots on the inner plate with the M4x20 truss-head tapping screws holding the outer plate in place.
5. Rotate the housing counterclockwise to slide the mounting slots onto the screws and secure the unit.

## Wiring

**Note:** If using PoE, use PoE class 3 otherwise the camera may not function properly.

To connect your dome, do the following:

1. Route the power wire through the dome housing BEFORE installing the power connector to the wire.
2. Connect Ethernet cables to the appropriate Ethernet ports. The LAN port is marked, and sits on top of the WAN port.
3. Connect a coaxial video cable from a monitor or a recording device to the BNC connector inside the dome housing. Use this during installation to aid in camera setup (zoom and focus). Refer to *Adjustments* on page 2
4. Connect the audio in and audio out (if using audio), as well as the digital in and digital out to the appropriate devices.

**Note:** For ease of wire connectivity, the terminals disconnect from the board. You can connect the wires to the terminals and then plug the terminals back into the circuit boards.

5. Connect the 12 VDC/24 VAC power source to the appropriate terminals on the circuit board. You can also supply power to the camera with Power over Ethernet (PoE). To do this, you must have your Ethernet cable connected to a router that has the PoE technology. The camera will use whatever power supply is connected and supplies power first.

## Software configuration

This product does not require extensive software configuration. Please refer to the enclosed *Pocket Guide*.

### LAN/WAN default IP address

For reference. To connect your camera to the appropriate monitoring device, please note the following information:

LAN default IP address	192.168.0.100
LAN default subnet	255.255.255
WAN default IP address	10.0.0.1
WAN default subnet	255.255.255.0
ISP gateway	10.0.0.254

## Adjustments

This section explains how to adjust your camera.

**Note:** Connect a coaxial video cable from a monitor or a recording device to the BNC connector inside the dome housing. This aids in camera setup (to check camera zoom and focus).

### Focus

To adjust the focus of the camera, do the following:

1. Open the dome.
2. Loosen the zoom ring thumbscrew.
3. Turn the zoom ring to set the desired zoom.
4. Tighten the zoom ring thumbscrew.
5. Loosen the focus ring thumbscrew.
6. Turn the focus ring to set the desired focus.

**Note:** To keep the camera in focus, you may need to adjust the focus ring while you tighten the thumbscrew.

7. Tighten the focus ring thumbscrew.

### Position

To adjust the camera position, do the following:

1. Open the dome.
2. Loosen the thumbscrews that hold the camera.
3. Move the camera to desired position.

**Note:** Test your position by closing the dome and ensure the camera is properly aligned with the dome viewing window.

4. Tighten the thumbscrews and secure the dome.

## Weatherproofing

The following section describes how to prepare the dome for outdoor use.

**Note:** The main concern is the back box area of the camera. To ensure moisture does not enter the back box, you must ensure that this area is properly sealed.

We recommend that you ensure the dome is tightly sealed to your mounting surface and then adequately caulked.

**Note:** Do not place the dome in an area with high water concentration. Do not install the dome while it is raining.

## FCC compliance

This device complies with part 15 of the FCC rules for Class A devices. Operation is subject to the following conditions:

1. This device may not cause harmful interference.
2. This device must accept any interference received, including interference that may cause undesired operation.

Changes or modifications not expressly approved by the party responsible for compliance could void the user's authority to operate the equipment.

## Specifications

Power requirement	12VDC $\pm$ 10%/24 VAC $\pm$ 10% PoE (IEEE802.3af) with Class 3
Operating temperature	-22 to 122° F (-30-50° C)
Power consumption	12 W max
Lens focal length	3.8~9.5 mm
Camera angle	$\pm$ 180° (X panning); 90° (Y tilting)
Synchronization	Internal/Line-lock
Motion detection	Yes (3 windows)
Electronic shutter	1/60 ~1/100,000 sec. (NTSC); 1/50~1/100,000 sec. (PAL)
Network:	
LAN port	Ethernet (10/100 Base-T), terminal block
WAN port	Ethernet (10/100 Base-T), terminal block
Protocol	TCP, UDP, IP, HTTP, DHCP, PPPoE, RTP, RTSP, FTP, SMTP
Web browser	Microsoft Internet Explorer 6.0 or above
Physical dimensions	125 mm $\times$ 108.81 mm (4.92" $\times$ 4.28")
Weight	1,020 g (2.25 lb.)

### Technical support

**Toll-free:** 888.GESECURity (888.437.3287) in the US, including Alaska and Hawaii; Puerto Rico; Canada.  
Outside the toll-free area: Contact your local dealer.